



**SICE**  
AUTOMOTIVE EQUIPMENT

**Military Vehicle**  
Maintenance Equipment

# Military Wheel Solution S 20 A Military



**Advanced Technology  
for Military Maintenance**

## S 20 A Military

Designed for maintenance of tyres on military and defence vehicles equipped with Hutchinson's RFT run flat system, this equipment offers a solid and sturdy construction, designed for maximum operational efficiency. It conveniently and safely handles all work steps on tyres with reinforced carcass and toroidal insert, ensuring continuity and precision in every operation.

The mobile hydraulic control unit develops a thrust force of up to 45,000 N, enabling controlled, safe and highly reliable operations, with maximum protection for the operator.

### GENERAL FEATURES

#### Structure

The high-strength steel load-bearing structure guarantees high rigidity during operations. The sturdy construction ensures stability and durability even with heavy and continuous use.

#### Control unit

The control unit allows progressive and controlled movements, offering the operator precision at every stage and ensuring smooth and safe operation. The ergonomic design of the unit facilitates constant and reliable operation.

#### Technical solutions

The solutions adopted allow the Run Flat system to be extracted in a continuous and controlled manner, reducing stress and limiting the risk of damage to the tyre and internal components.



#### APPLICATIONS

- Heavy-duty military transport vehicles
- Armoured and tactical vehicles
- Military light-duty vehicles.

#### Critical components

The main components are manufactured from selected materials and protected by specific treatments, to ensure maximum service life, long-term reliability and lower maintenance requirements.

#### Balance

The combination of precision movements, immediate control and ease of use makes the S 20 A Military an efficient and high-performance solution, in line with SICE's approach to operability and convenience.

### PRESS FOR SIDE RING REMOVAL

The rim clamping system on the tyre changer turntable ensures a stable and precise fit.

The hydraulic press, powered by an independent control unit, ensures high safety standards and maximum operating precision, reducing work time and operator effort.



# Military Vehicle Maintenance Equipment Military Wheel Solution S 20 A Military

## MAIN TECHNICAL FEATURES

- **Standalone, transportable station** for maximum operational flexibility.
- Power supply of 400V/3/50-60 Hz (230V/3/50-60 Hz version available on request).
- **Designed for extraction of toroidal ring Run Flat systems**, compatible with **Hutchinson VFI** and **bead-lock systems** with rigid ring.
- High level of **operational safety**.
- **Simple and intuitive operation**, with progressive manual controls for precise control of each step.
- Solution **ideal for independent workshops and military maintenance service centres**.



## OPERATIONAL PHASES

- **Clamping** of the rim on the tyre changer and subsequent mounting/demounting of the tyre with integrated Run Flat system, using the pressing equipment supplied for side ring removal.



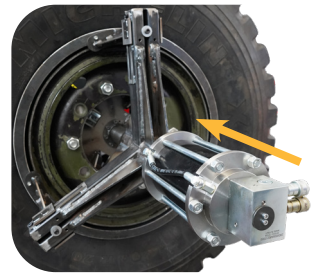
1



2



3



4

- **Extraction and insertion** of the Run Flat toroidal ring system from/into the tyre using the standalone extraction station.



Scan the QR code to watch the video available on the website.

### OPTIONAL KITS ON REQUEST

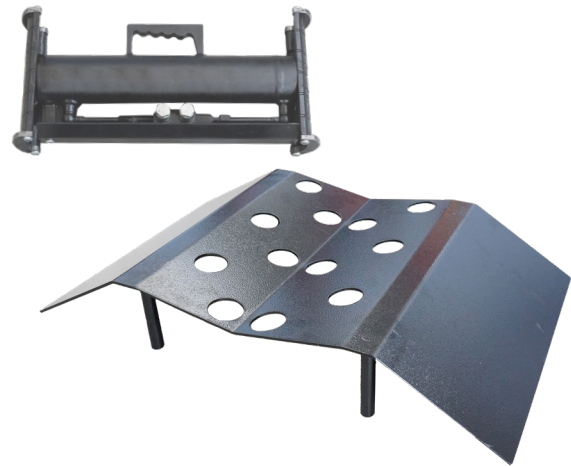
8-12120050/90

TOROID HANDLING ROLLER CONVEYOR



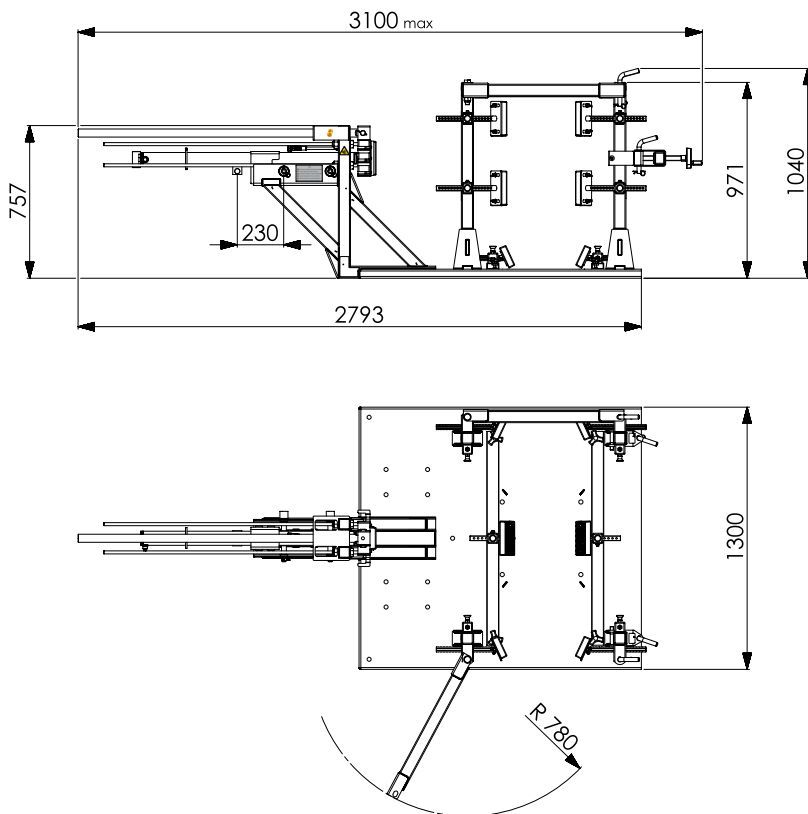
8-12120051/90

16" TYRE MAINTENANCE KIT



For other accessories, please refer to the relevant catalogue.

### DIMENSIONS



### SPECIFICATIONS

MAXIMUM WHEEL DIAMETER	1600 mm
MAXIMUM WHEEL WIDTH	650 mm
MOST FREQUENTLY USED TYRE TYPES (BY WAY OF EXAMPLE)	12.00R20 14.00R20 325/85R16 335/80R20 365/80R20 395/85R20
MAXIMUM WHEEL WEIGHT	600 KG
CLAMPING CAPACITY	14"-26"
RUN FLAT SYSTEM TYPE	HUTCHINSON VFI
OVERALL DIMENSIONS	3000X1300X1050
POWER SUPPLY	400/3/50-60 230/3/50-60 (ON REQUEST)
DRIVES	HYDRAULIC - PROGRESSIVE MANUAL
EQUIPMENT WEIGHT	500 KG

The manufacturer reserves the right to modify the features of its products at any time.